

X-Limiter™ Unitized Fuse

GENERAL

The Cooper Power Systems Combined Technologies (CT) X-Limiter™ Unitized fuse allows paralleling the two-inch diameter 4.3 kV, 5.5 kV, 8.3 kV and 15.5 kV fuses to fit the NX® Code 1 and Code 2 hinge mountings. It provides double current rated fused switching when a loadbreak feature is not required. The X-Limiter Unitized fuse has the same electrical characteristics and follows the same application criteria as the X-limiter fuse, described in Catalog Section 240-56. One operation indicator is included per fuse set.



Figure 1.
X-Limiter Unitized Fuse.

TABLE 1
Electrical Characteristics

Fuse Type	Full-range
Maximum Interrupting Current	50,000 A rms symmetrical

PRODUCTION TESTS

Tests are conducted in accordance with Cooper Power System requirements.

- 100% Physical Inspection
- 100% 12t Testing
- 100% Resistance Testing

Features and Detailed Description

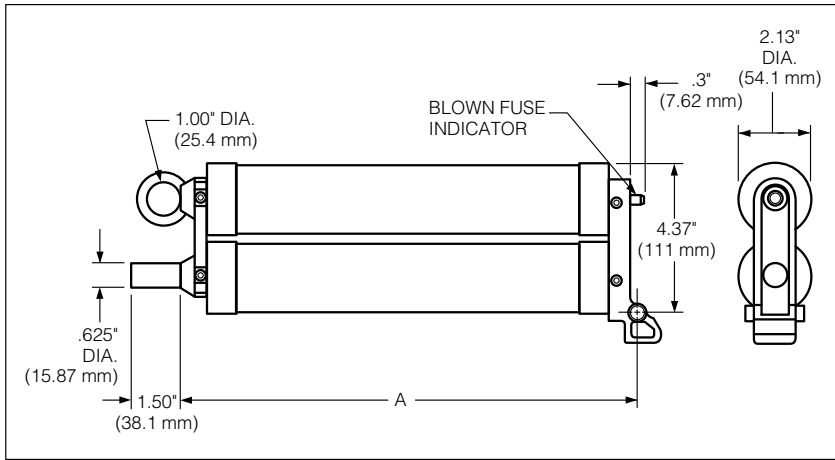


Figure 2.
Dimensional illustration of X-Limiter Unitized fuse.

TABLE 2
X-Limiter Unitized Fuse Dimensional
and Ordering Information

Voltage Rating kV	Catalog Number Replacement Fuse	Catalog Number With End Fittings	Current Rating	Mounting Code	Approximate Weight	Dimensions A Inches (mm)
4.3 kV	43F130-UI	43F130-UIEF	130	1	6 (2.72)	9.22 (234.3)
	43F150-UI	43F150-UIEF	150	1	6 (2.72)	9.22 (234.3)
5.5 kV	55F100-UI	55F100-UIEF	100	1	6 (2.72)	9.22 (234.3)
	55F150-UI	55F150-UIEF	150	1	6 (2.72)	9.22 (234.3)
8.3 kV	83F60-UI	83F60-UIEF	60	1	6 (2.72)	9.22 (234.3)
	83F80-UI	83F80-UIEF	80	1	6 (2.72)	9.22 (234.3)
	83F100-UI	83F100-UIEF	100	1	6 (2.72)	9.22 (234.3)
15.5 kV	15F60-UI	15F60-UIEF	60	2	8 (3.63)	13.55 (344.2)
	15F80-UI	15F80-UIEF	80	2	8 (3.63)	13.55 (344.2)
	15F100-UI	15F100-UIEF	100	2	8 (3.63)	13.55 (344.2)

Note: End fittings catalog number UIEF, includes both upper and lower end piece.